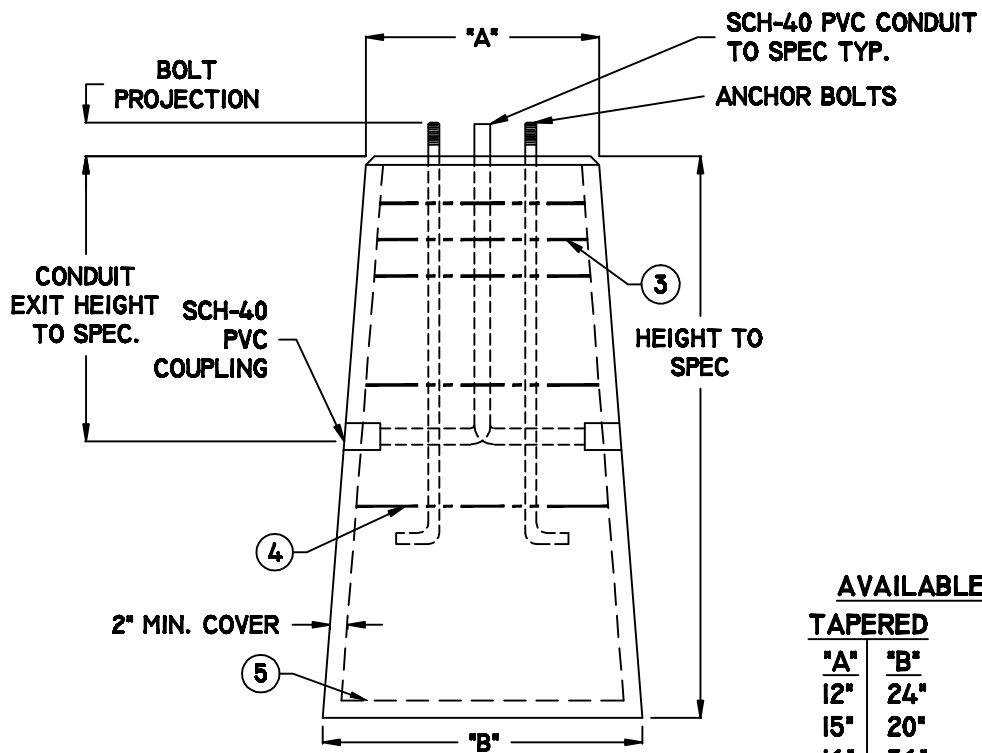


**PLAN**



**ELEVATION**

**AVAILABLE SIZES**

TAPERED		HEIGHT
"A"	"B"	
12"	24"	42"
15"	20"	48"
16"	36"	58"
18"	24"	48"
18"	28"	48"
20"	24"	48"
24"	36"	48"
24"	48"	60"

**DESIGN NOTES:**

1. CONCRETE - 5,000 PSI, 28 DAYS.
2. ANCHOR BOLTS PER SPEC. REINFORCEMENT
3. (3) #3 REBAR HORIZONTAL WRAP 2" O.C.
4. #3 REBAR HORIZONTAL WRAP 12" O.C.
5. (4) #5 REBAR VERTICAL

ANY MODIFICATIONS TO THIS DOCUMENT WITHOUT THE WRITTEN CONSENT OF ARROW CONCRETE PRODUCTS SHALL RENDER IT INVALID AND UNUSABLE.

**ARROW**  
Concrete Products  
PROGRESS IN PRECAST  
www.arrow-concrete.com

**LIGHT POLE BASE  
TAPERED**

**LPB-T-STD**

SCALE:	N.T.S.
DATE:	5/27/10
DRAWN:	JPW
WEIGHT:	..
DWG #	..

539 ORONOQUE ROAD  
MILFORD, CONNECTICUT  
(203) 301-5091

560 SALMON BROOK STREET  
GRANBY, CT 06035  
(860) 653-5063

21 VERGASON AVENUE  
NORWICH, CONNECTICUT  
(860) 889-2213